

National Forum on Additive Manufacturing Education & Training

Future Trends in Additive Manufacturing Education: What's Next?

Direct Metal Printing with 3DXpert

October 11-12, 2016

Jared Blecher

Aerospace and Defense Engineer, 3D Systems



ProX DMP 320



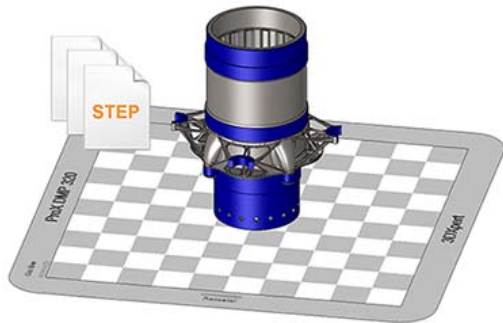
**Proven Design
Large Print Volume
Low Contamination
User Safe
High Productivity**



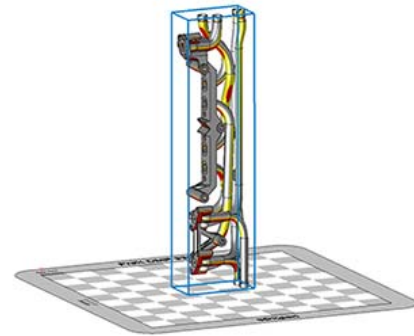
- 500,000 parts produced at Leuven, Belgium service bureau over 8 years.
- 275 X 275 X 420 mm build volume
- Extremely low O₂ (10 to 50 ppm)
- No powder degradation
- Long filter lifetime (4 to 6 months)
- Easy and safe filter replacement
- Fast bi-directional layering system
- Removable print module
- Multi-layer thicknesses
- Automated high-performance sieving system
- Built-in extra ports; user defined sensors
- Transparent process parameters for user



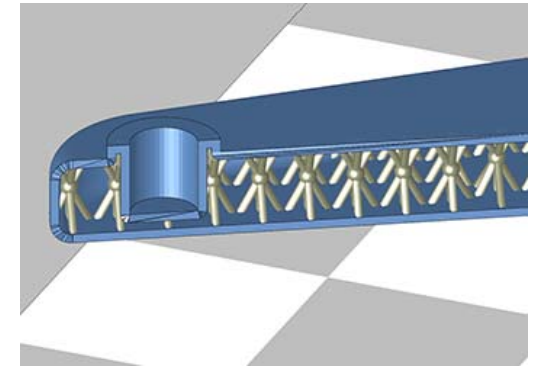
Build Preparation Software – 3DXpert



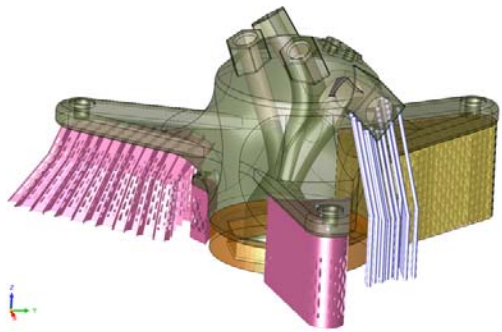
**Import CAD model
(not mesh)**



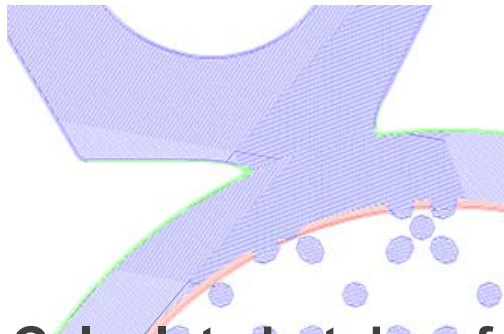
**Position part with auto-
detected downfacing areas,
and fast distortion model**



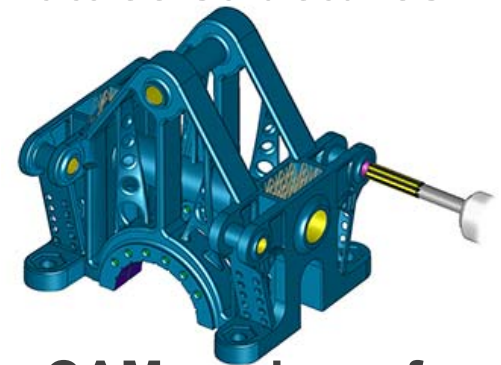
**Easily generate
lattice structures**



**Generate a variety of
supports**



**Calculate hatches for
different machines**



**Use CAM package for
post-printing tool paths**